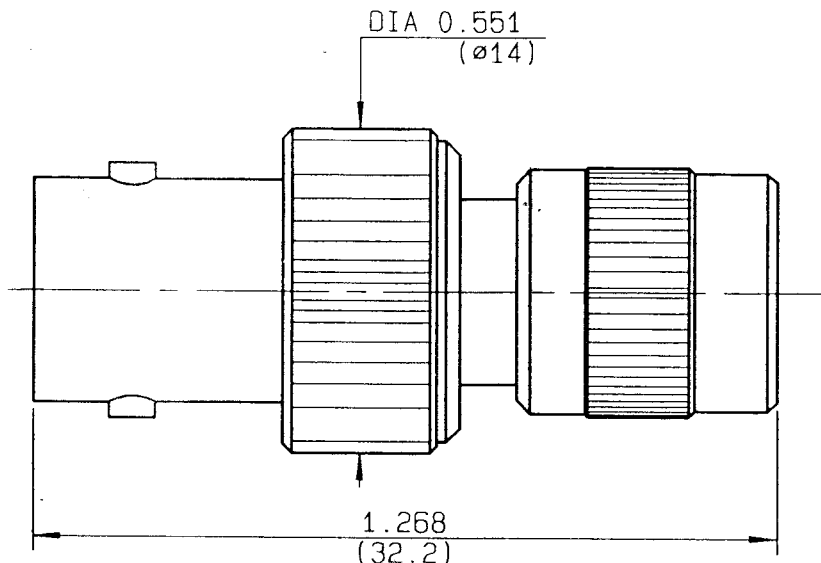


ADAPTOR BNC FEMALE - DIN 1.6-5.6 MALE

R192.432.000

SERIES ADAPT STD 75



NOMINAL IMPEDANCE	75 Ω	CABLES :	
FREQUENCY RANGE	0-1 GHz		
TEMPERATURE RATING	-40/+155 °C		
V.S.W.R	1.15 + x F(GHz)Maxi		
RF INSERTION LOSS	\sqrt{F} (GHz) dB Maxi		
VOLTAGE RATING	330 Veff Maxi		
DIELECTRIC WITHSTANDING VOLTAGE	1000 Veff Mini	OTHERS CHARACTERISTICS	
INSULATION RESISTANCE	5000 M Ω Mini	CABLE RETENTION	N Mini
HERMETIC SEAL	Atm.cm ³ /s	CENTER CONTACT RETENTION	
LEAKAGE (pressurized only)	MPa	Axial force - mating end	27 N Mini
MECHANICAL DURABILITY	500 Cycles	Axial force - opposite end	27 N Mini
WEIGHT	gr	Torque	cm.N Mini
SPECIFICATION		RECOMMENDED TORQUES	
		Mating	cm.N
		Panel nut	cm.N
		Clamp nut	cm.N

CONNECTOR PARTS	MATERIALS	FINISH	(all values are given) in micrometers
BODY	BRASS	NICKEL .	
OUTER CONTACT	BRONZE	NICKEL .	
CENTER CONTACT	BERYLLIUM COPPER	GOLD OVER NICKEL	
INSULATOR	PTFE	-	
GASKET		-	
OTHERS PIECES			

TR. ES

ISSUE	CREATION DATE	FILE PART-NUMBER	RADIALL ®
97059705	18-DEC-81	EPC 96-04	

The information given here is subject to change without notice.
Design changes may be in order to improve the product .

Connect to the future